

SOFA OF RIGHT CHAISE 3-PIECE SECTIONAL ASSEMBLY INSTRUCTION(TOTAL 3 BOXES)



A x 1 pc



D x 4 pc



E x 12 pcs(8x30mm)



F x 12 pcs(M8)

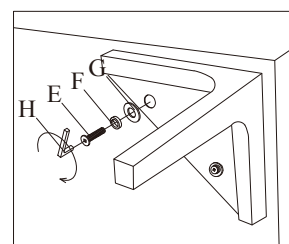
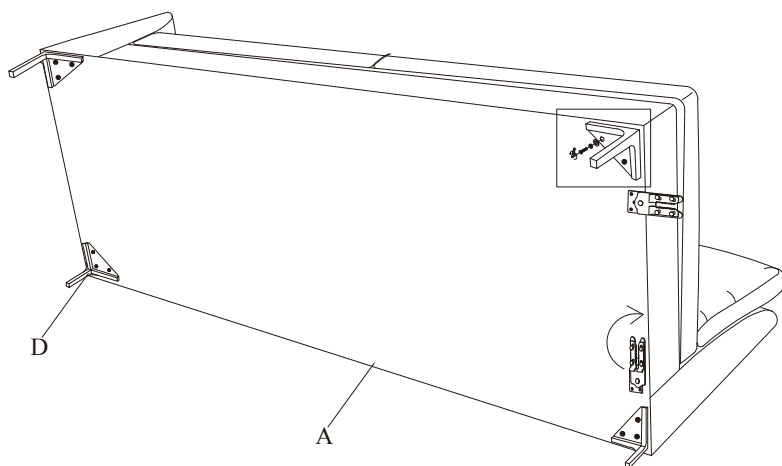


G x 12 pcs(M8x25mm)

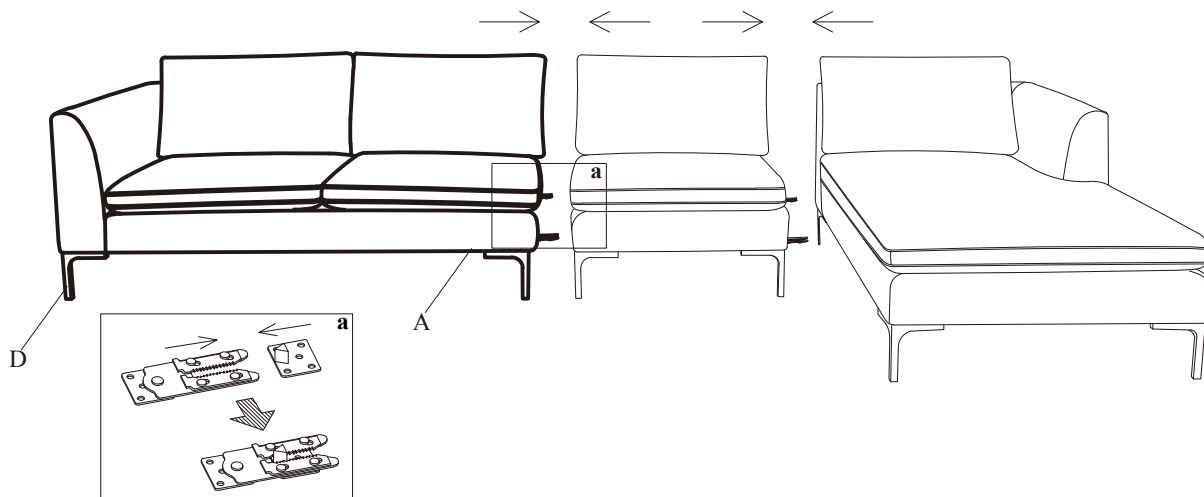


H x 1 pc(5mm)

1



2



Thank you for your purchase